



HT23 RTJ PRO



OUTSTANDING PERFORMANCE & PRODUCTIVITY

- > Very good working envelope
- > 4 WD & 4 WS with 360° continuous rotation
- > Dual load basket capacity 230 - 450 kg

BEST COMFORT AND SAFETY FEELING

- > Haulotte Activ'Shield Bar 2.0
- > Haulotte Activ'Lighting System for safe loading / unloading in conditions of low visibility
- > Quick, proportional and simultaneous movements
- > Rigid boom

MINIMIZED TOTAL COST OF OWNERSHIP

- > Haulotte Activ'Screen diagnostic display for onboard fault & service alerts
- > Haulotte Stop Emission System automatically turns the engine off & on
- > Easy access to all components
- > Exclusive modular basket, quick and easy to repair

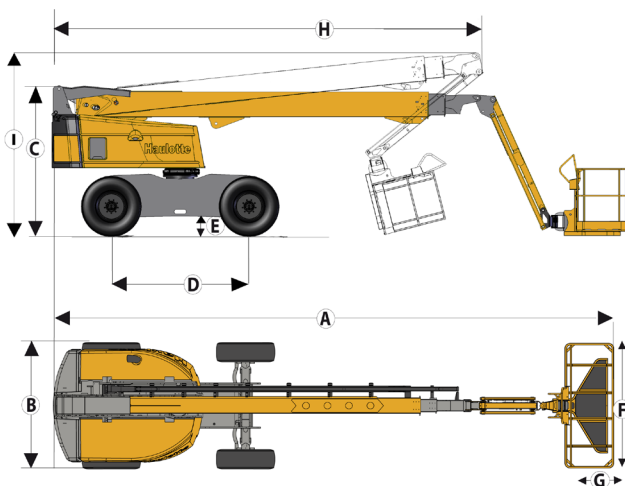
HT23 RTJ PRO

ROUGH TERRAIN TELESCOPIC BOOMS

TECHNICAL DATA

HT23 RTJ PRO 4WD/4WS

Working height	22.5 m
Platform height	20.5 m
Horizontal outreach	18.3 m
Below ground reach	4 m
Lift capacity	230 kg (2 pers.) - 450 kg (3 pers.)
F x G Platform size	2.44 x 0.91 m
A Length - stowed	10.4 m
H Length storage / transport	7.8 m
B Overall width	2.47 m
C Height - stowed	2.7 m
I Height - storage / transport	3.3 m
Vertical jib rotation	133° (+68/-65)
Platform rotation	180° (+90/-90)
Boom rotation angle	90° (+75/-15)
Turntable rotation	360° continuous
Tailswing	109 cm
D Wheelbase	2.5 m
E Ground clearance	34 cm
Tilt	5°
Drive speed	0.5 - 6.5 km/h
Gradeability	40 %
Turning radius - outside	3.4 m
Tyres - foam-filled	385/65 - 22.5
Fuel tank	166 l
Engine	Kubota, 36.5kW (49.6hp), Stage 3A
Weight	13 400 kg



STANDARD EQUIPMENT

- > Haulotte Activ'Lighting System
- > Haulotte Activ'Shield Bar 2.0
- > Haulotte Stop Emission System
- > Haulotte Activ'Screen onboard colored monitor screen and diagnostic system
- > Universal telematics plug
- > 4 wheel drive & 4 wheel steer with non-marking tyres
- > Front oscillating axle increases stability on uneven ground
- > Proportional controls enhance comfort and safety
- > 4 simultaneous movements for maximum productivity
- > Automatic differential wheel lock increase rough terrain capacity
- > Upper control box protection cover and tool tray in ultra-solid composite
- > Large modular basket 2.44 x 0.91 m, lateral swing door entry gate
- > Basket limitation $\pm 10^\circ$
- > Prepared for power to platform
- > Swing out engine tray for ease of maintenance
- > Sound and light alarm for tilt and load
- > Rotating beacon
- > Driving alarm
- > Hour meter
- > Electric pump system and emergency descent
- > 12 V battery
- > Engine pre-heater with light indicator
- > Low fuel level indicator (upper control box)

OPTIONS AND ACCESSORIES

- > Haulotte Activ'Lighting System (standard in AUS / NZ)
- > Haulotte Activ'Shield Bar 2.0 (standard in AUS / NZ)
- > Dual load capacity 230 / 450 kg (2 - 3 persons) (standard in AUS / NZ)
- > Narrow modular platform 1.83 m x 0.8 m
- > Power to platform (female plug in the basket with or without circuit-breaker 30 mA)
- > Air line to platform
- > Drop entry gate
- > 6,5 kVA hydraulic generator (standard in AUS / NZ)
- > Biodegradable hydraulic oil
- > 60 km/h wind speed
- > Warm environment package
- > Cold weather package / kit Arctic
- > Pipe cradle pack
- > Glazier pack
- > Working lights

