

ELEVAH[®] 40 B picking

Max. working height	4 m
Max capacity	200 kg
Number of people	1
Use	Internal/External
A Closed machine height	1730 mm
B Min. height from the ground*	290 mm
C Maximum platform height	1950 mm
D	1000 mm
E Base overall dimensions	715 mm
F	1425 mm
G Cage dimensions	685 mm
H	580 mm
Machine weight	350 kg
Idle front wheel size	Ø 125x35
Idle rear wheels size	Ø 150x40

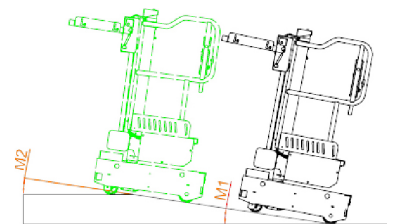
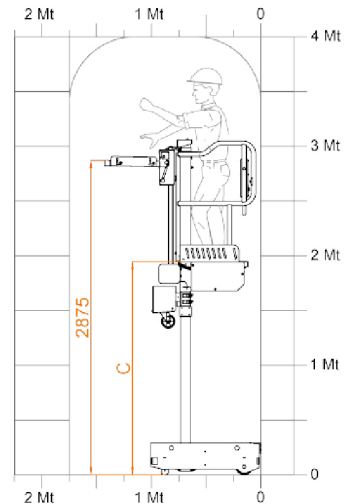
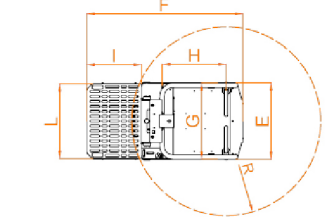
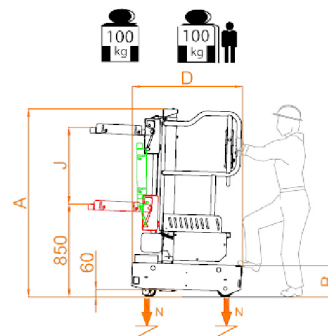


PICKING PLATFORM

I Dimensions	500 mm
L	680 mm
Adjustment	Electric
J Stroke	700 mm
Min. height from the ground	850 mm
Maximum height from the ground	2875 mm
Capacity	100 kg

PERFORMANCE

Power supply	24 V
Batteries	2 AGM 12V 45 Ah
Battery charger	115V–230V 50/60HZ
M Maximum climbing ability	15%
Internal turning radius	0
R External turning radius	860 mm
Max. speed (rising)	0,15 m/s
Max. speed (descending)	0,15 m/s
N Maximum pressure for wheel at full load **	1,55 kN
Work cycles (with fresh batteries) **	Ca. 110



* There is an intermediate step.

** Maximum pressure whereas the weight of the platform plus the maximum load on the basket are completely distributed on one side of the platform (totally asymmetric load).



CE and TUV certified and approved for internal use in the absence of wind. In assessing compliance, only those standards whose proposed measures have been implemented were considered and only if a corresponding risk does indeed

exist.

Watch our
Corporate Video

Click or scan using
your phone camera



www.unitedequipment.com.au

SALES | RENTALS | SERVICE | PARTS | FINANCE | TRAINING
Perth | Bunbury | Darwin | Adelaide | Brisbane | Toowoomba
Rockhampton | Mackay | Sydney | Melbourne | Ballarat | Devonport