

# ELEVAH<sup>®</sup>40 MOVE picking

## ELECTRIC SYSTEM

Max. working height	4,00 m	
Max capacity	200 kg	
Number of people	1	
Use	Internal - External	
<b>A</b>	Closed machine height	1730 mm
<b>B</b>	Minimum platform height	290 mm
<b>C</b>	Maximum platform height	1950 mm
<b>D</b>		1000 mm
<b>E</b>	Base overall dimensions	715 mm
<b>F</b>		1425 mm
<b>G</b>	Cage dimensions	685 mm
<b>H</b>		580 mm
Machine weight	365 kg	
Driving wheels size	Ø 186 x 60 mm	
Idle rear wheels size	Ø 150 x 40 mm	

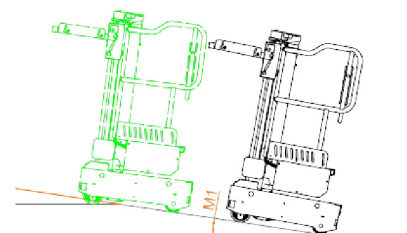
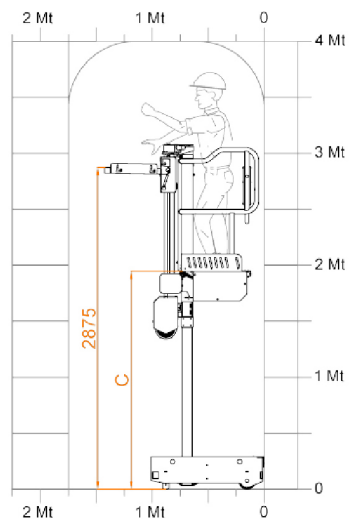
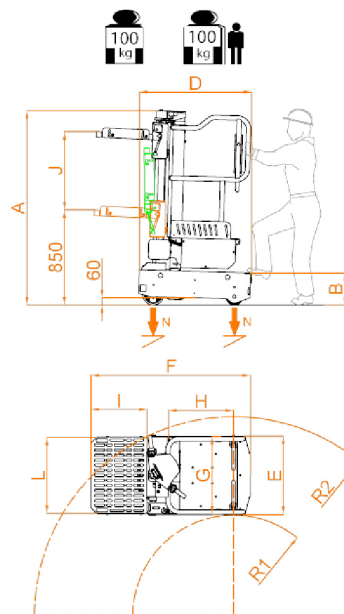


## PICKING PLATFORM

<b>I</b>	Dimensions	500 mm
<b>L</b>		680 mm
Adjustment		Electric
<b>J</b>	Stroke	700 mm
Min. height from the ground		850 mm
Maximum height from the ground		2875 mm
Capacity		100 kg

## PERFORMANCE

Power supply	24V	
Batteries	2 AGM 12V 45 Ah	
Battery charger	115V-230V 50/60HZ	
<b>M1</b>	Maximum climbing ability	15%
<b>M2</b>	Surmountable landing slope	15%
<b>R1</b>	Internal turning radius	900 mm
<b>R2</b>	External turning radius	1780 mm
Max. speed (rising – descending)		0,15 m/s
Maximum shifting speed		5 km/h
<b>N</b>	Maximum pressure for wheel at full load **	1,85 kN



\* There is an intermediate step.

\*\* Maximum pressure whereas the weight of the platform plus the maximum load on the basket are completely distributed on one side of the platform (totally asymmetric load).



Complies with European regulations for man-up forklift trucks. UNI EN ISO 3691-1. In assessing compliance, only those standards whose proposed measures have been implemented were considered and only if a corresponding risk does indeed exist.

Watch our Corporate Video

Click or scan using your phone camera



**UNITED**  
Forklift and  
Access Solutions

☎ 131 607 [www.unitedequipment.com.au](http://www.unitedequipment.com.au)

SALES | RENTALS | SERVICE | PARTS | FINANCE | TRAINING  
Perth | Bunbury | Darwin | Adelaide | Brisbane | Toowoomba  
Rockhampton | Mackay | Sydney | Melbourne | Ballarat | Devonport